

1

2

3

4

A

B

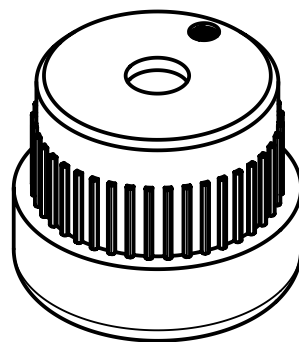
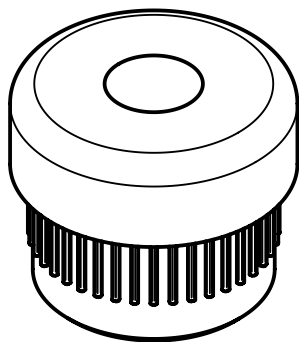
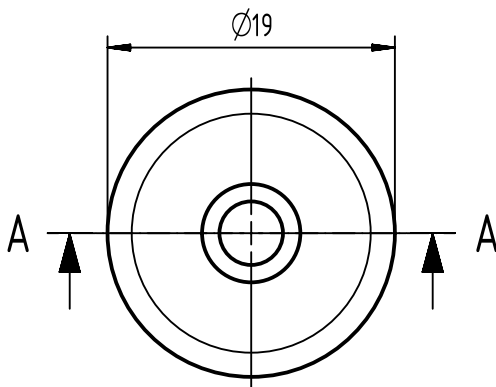
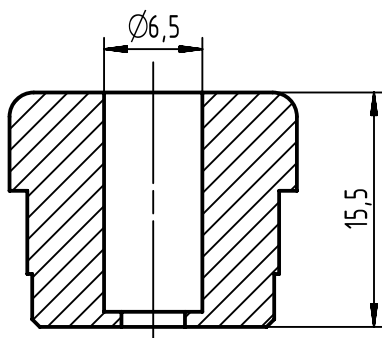
C

D

E

F

A-A



10pcs packaged in one bag



All Dimensions in mm
Original Size DIN A4

Scale
2:1

Free size tol.

Ref.

Sub.



All rights reserved
Department EC PD - CN

Created by
GUOY

Inspected by
WANGSTE

Standardisation
KOHLER

Date
2016-06-18

State
Final Release

HARTING Electronics GmbH
D-32339 Espelkamp

Title
Han PP Power L plug cable seal 4-6.5mm

Doc-Key / ECM-Nr.
100660735/UGD/001/A
500000105207

Type
TB

Number
09350049907

Rev.
A

Page
1/1